



**Sun-In-One™**  
New Electrical Solar Light and Power Products



## SPECIFICATIONS

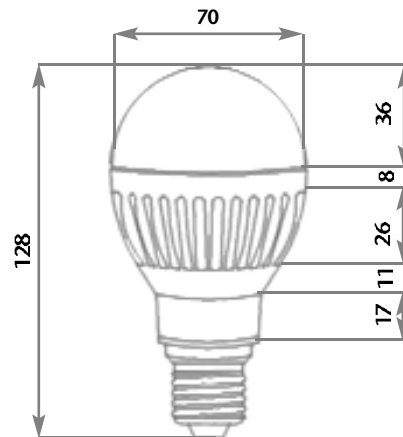
AVERAGE WATTAGE	9.5 Watts
APPROXIMATE EQUIVALENCE	100 Watt Incandescent
WORKING INPUT VOLTAGE	85-265 VAC, 60Hz
POWER FACTOR	>0.9
COLOR TEMP (ANSI)	Cool White (5000K) Natural White (4000K) Warm White (3200K)
CRI (COLOR RENDERING INDEX)	75 (Average)
LUMINOUS FLUX	810 Lumens
LUMINOUS EFFICACY	80lm /W
BEAM ANGLE	150 Degrees
DIMENSIONS	2.9" (D); 5.2" (L)
LIFE SPAN	> 50,000 Hours
OPERATING TEMPERATURE	5° F - 113° F
RATINGS	Indoor Applications
WARRANTY	5 Years
BASE TYPE	E27 / E-26
LED DRIVER	Isolated with Current Protection IC
MATERIALS	Ceramic, Aluminum, Glass

## A19 LED Lamp-10 Watt



### FEATURES / BENEFITS

- High Luminance and Low Power Consumption
- Super Long Life and Easy Install
- Longer Life than CFL or Halogen
- No UV, No RF Interference
- No Mercury, RoHS Compliant



### ORDERING INFORMATION FOR 10 WATT A19-LAMP

**SIO-A19-10W-WW (3200K)**  
**SIO-A19-10W-NW (4000K)**  
**SIO-A19-10W-CW (5000K)**



**Sun-In-One™**  
suninone.com  
302-762-3100

